



# Technical Data

## Nexus Grid Flex Outlet Modules

### Brief product description:

The Nexus Grid range is ideal for domestic, commercial and industrial applications, and allows you to build your own module configurations with a variety of combinations and finishes.

### Features:

- Cable entry with cord grip
- Suitable for cables with an outside diameter up to 10mm
- Simple secure 'locate & clip' fitting to frame
- Module to be installed with Grid frame and plate

### Product Images

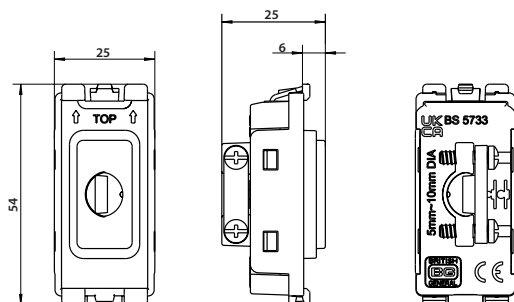


### Technical Specifications

Standard(s)	BS 5733
RoHS Directive	No
WEEE Directive	No
Mounting Box Depth (Min)	25mm



### Line Diagrams





# Technical Data

## Nexus Grid Flex Outlet Modules

### Packaging Information

Cat No.	Description	Packaging Type			Pack Quantity			Barcode		
		Product	Inner Box	Outer Box	Each	Inner Box	Outer Box	Individual	Inner Box	Outer Box
RFLEX	Flex Outlet - WH	Bag	Colour Box	Carton	1	10	100	5050765202510	5050765202633	5050765202756
RPCDWFLEX	Flex Outlet - EVWH	Bag	Colour Box	Carton	1	10	100	5050765233187	5050765233224	5050765233262
RPCDBFLEX	Flex Outlet - EVBK	Bag	Colour Box	Carton	1	10	100	5050765233200	5050765233248	5050765233286
RABFLEX	Flex Outlet - AB	Bag	Colour Box	Carton	1	10	100	5050765248990	5050765249027	5050765249058
RBSFLEX	Flex Outlet - BS	Bag	Colour Box	Carton	1	10	100	5050765202572	5050765202695	5050765202817
RPCFLEX	Flex Outlet - PC	Bag	Colour Box	Carton	1	10	100	5050765202541	5050765202664	5050765202787
RBNFLEX	Flex Outlet - BN	Bag	Colour Box	Carton	1	10	100	5050765202602	5050765202725	5050765202848
RFBFLEX	Flex Outlet - FB	Bag	Colour Box	Carton	1	10	100	5050765239141	5050765239172	5050765239202

Colour Reference:

WH = White, EVWH = Evolve White, EVBK = Evolve Black, AB = Antique Brass, BS = Brushed Steel, PC = Polished Chrome, BN = Black Nickel, FB = Matt Black

### Weights & Dimensions

Cat No.	Description	Dimensions (H x W x D) cm			Weight (kg)			CBM (m <sup>3</sup> )
		Product	Inner Box	Outer Box	Each	Inner Box	Outer Box	Outer Box
RFLEX/RPCD*FLEX	Flex Outlet (up to 10mm)	5.4 x 2.5 x 2.2	6.2 x 7.7. x 14.7	16.5 x 16 x 32	0.012	0.15	1.60	0.00845
R**FLEX	Flex Outlet (up to 10mm)	5.4 x 2.5 x 2.2	6.2 x 7.7. x 14.7	16.5 x 16 x 32	0.014	0.17	1.80	0.00845