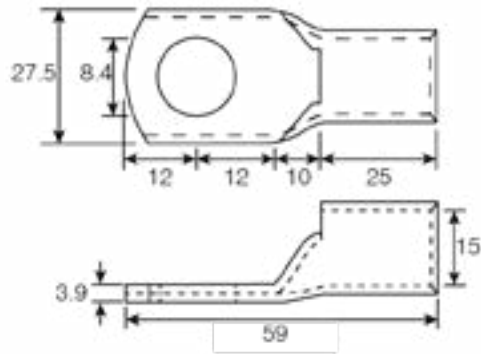


Product Code: QCT120-8

Luckinslive 399414103

Description: 120mm<sup>2</sup> Copper Tube Lug With 8mm Stud



**Dimensions**

|                                  |      |
|----------------------------------|------|
| Stud Size (mm)                   | 8    |
| Overall Length (mm)              | 59   |
| Bellmouth Length (mm)            | 25   |
| Bellmouth Internal Diameter (mm) | 15   |
| Stud Entry Diameter (mm)         | 8.4  |
| Overall Width (mm)               | 27.5 |
| Terminal Thickness (mm)          | 3.9  |
| Stud Centre From Front (mm)      | 12   |
| Stud Centre From Rear (mm)       | 12   |
| Bellmouth To Terminal (mm)       | 10   |

**General Information**

|                           |                              |
|---------------------------|------------------------------|
| Contact Plating (Microns) | 5 to 8                       |
| Flared Entry              | Yes                          |
| Conductivity              | 97% to IACS                  |
| Inspection Window         | Yes                          |
| Fixing Type               | Suitable for crimp or solder |
| Working Temperature (°C)  | <180                         |

**Materials**

Material: Tin Plated Copper Tube

**Additional Information**

When using flexible fine strand or welding cable it may be necessary to select the next larger terminal size, i.e 70mm<sup>2</sup> fine strand, select 95mm<sup>2</sup> terminal.

**Standards**

ANSI/UL 486A-486B, CAN/CSA-C22.2 No. 65  
ANSI/UL 486C, CSA-C22.2 No. 188  
Tensile performance requirements to IEC 61238-1-1: 2018

