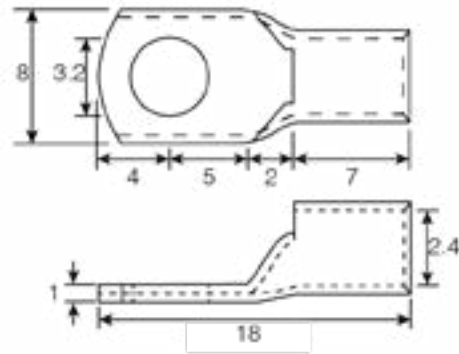


Product Code: QCT025-3

Luckinslive 402621744

Description: 2.5mm² Copper Tube Lug With 3mm Stud



Dimensions

Stud Size (mm)	3
Overall Length (mm)	18
Bellmouth Length (mm)	7
Bellmouth Internal Diameter (mm)	2.4
Stud Entry Diameter (mm)	3.2
Overall Width (mm)	8
Terminal Thickness (mm)	1
Stud Centre From Front (mm)	4
Stud Centre From Rear (mm)	5
Bellmouth To Terminal (mm)	2

General Information

Contact Plating (Microns)	5 to 8
Flared Entry	Yes
Conductivity	97% to IACS
Inspection Window	Yes
Fixing Type	Suitable for crimp or solder
Working Temperature (°C)	<180

Materials

Material: Tin Plated Copper Tube

Additional Information

When using flexible fine strand or welding cable it may be necessary to select the next larger terminal size, i.e 70mm² fine strand, select 95mm² terminal.

Standards

ANSI/UL 486A-486B, CAN/CSA-C22.2 No. 65
ANSI/UL 486C, CSA-C22.2 No. 188
Tensile performance requirements to IEC 61238-1-1: 2018

