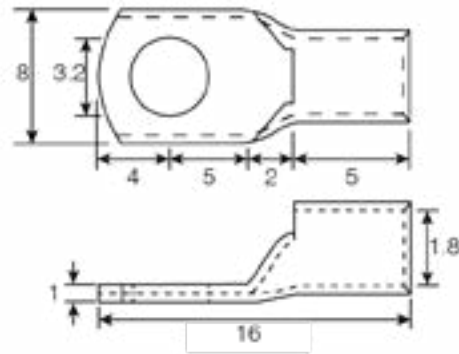


Product Code: QCT015-3

Luckinslive 402621702

Description: 1.5mm² Copper Tube Lug With 3mm Stud



Dimensions

| | |
|----------------------------------|-----|
| Stud Size (mm) | 3 |
| Overall Length (mm) | 16 |
| Bellmouth Length (mm) | 5 |
| Bellmouth Internal Diameter (mm) | 1.8 |
| Stud Entry Diameter (mm) | 3.2 |
| Overall Width (mm) | 8 |
| Terminal Thickness (mm) | 1 |
| Stud Centre From Front (mm) | 4 |
| Stud Centre From Rear (mm) | 5 |
| Bellmouth To Terminal (mm) | 2 |

General Information

| | |
|---------------------------|------------------------------|
| Contact Plating (Microns) | 5 to 8 |
| Flared Entry | Yes |
| Conductivity | 97% to IACS |
| Inspection Window | Yes |
| Fixing Type | Suitable for crimp or solder |
| Working Temperature (°C) | <180 |

Materials

Material: Tin Plated Copper Tube

Additional Information

When using flexible fine strand or welding cable it may be necessary to select the next larger terminal size, i.e 70mm² fine strand, select 95mm² terminal.

Standards

ANSI/UL 486A-486B, CAN/CSA-C22.2 No. 65
ANSI/UL 486C, CSA-C22.2 No. 188
Tensile performance requirements to IEC 61238-1-1: 2018

