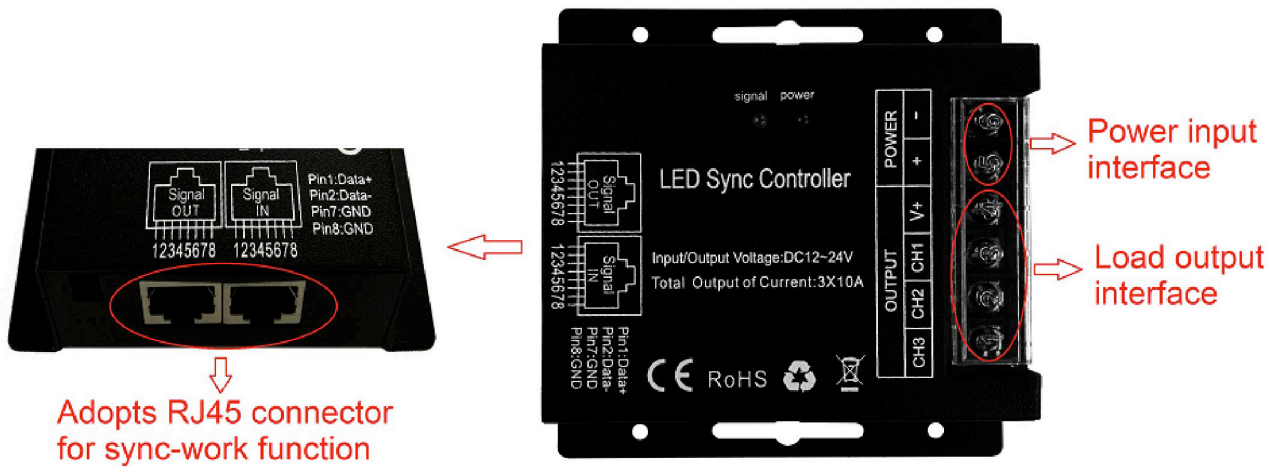


SAX01-99050 / SAX01-99051

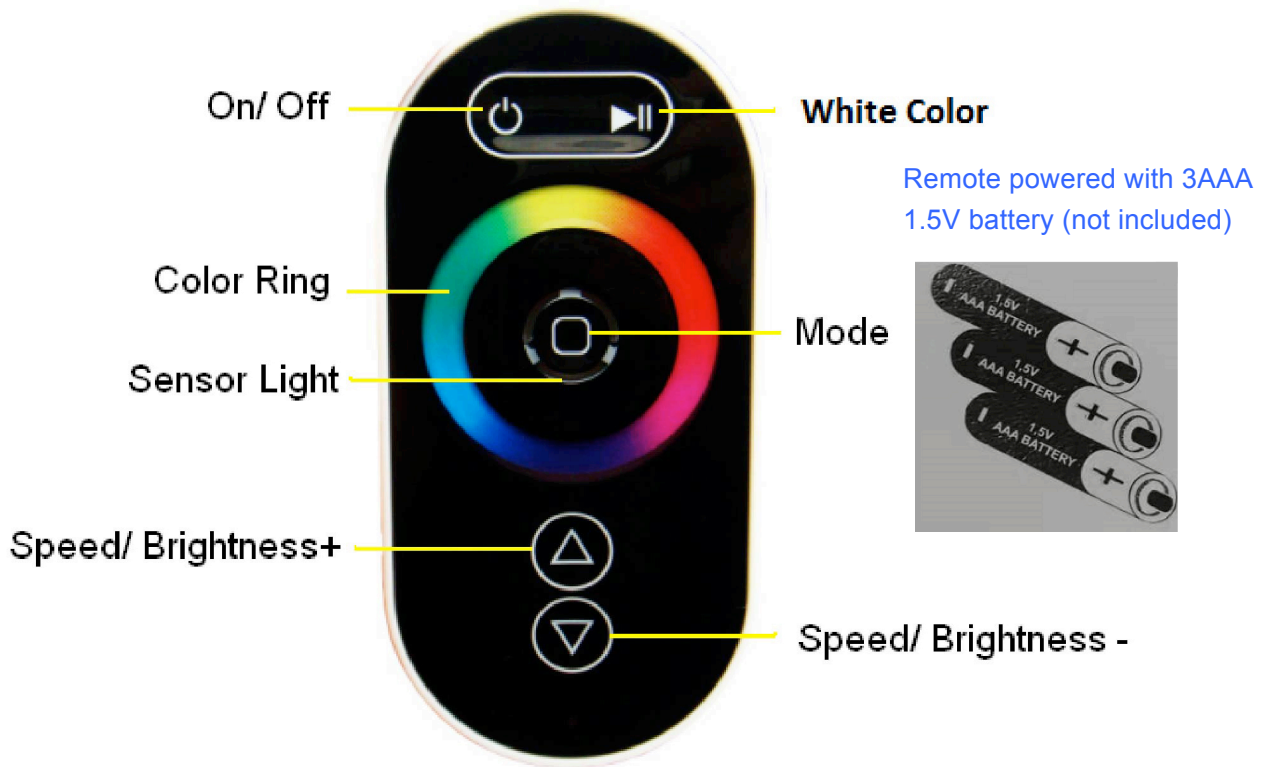
SAX01-99050 RGB Sync Controller



RGB Connection: V+→COM、CH1→R、CH2→G、CH3→B

Tips: Without any operation more than 20 seconds, the touch remote will enter the sleep state, please SHAKE the remote to wake up it before the next using.

SAX01-99051 RGB Remote



Product Feature

- Controller is constant voltage, suit for all kinds of the constant voltage LED RGB lamps.
- There is a RF remote touch control 5 functions, 1 color ring and 1 color sense lamp in the center, all buttons are in the touch form, the color ring have 128 levels in different colors.
- There are 10 modes in total, including 1 white static colors and 9 dynamic modes. The brightness of all static color and the speed of the dynamic modes are adjustable.
- Memory function, each time power-on reserve the mode which stop in the last power-down.
- The brightness of static color is adjustable, 256 levels in total; the speed of dynamic changes is adjustable, 100 levels in total.
- Long-press the brightness and speed key can get the fast adjustment, convenient for operation.
- Multiple controllers can work synchronically when connected by network cable through the RJ45 connector, the network cable between 2 ports up to 100 meters.

Technical Parameters

Controller

Working temperature	-20-60℃	Supply voltage	DC12V-24V
Static power consumption	<1W	Connecting mode	common anode
Grayscale	256 levels (RGB each)	Speed stage	100 grade
External dimension	L91*W88*H24 mm	Packing size	L108*W108*H50 mm
Net weight	290g	Gross weight	320g
Mode	10	Remote distance	Up to 20M
RF frequency	433.92Mhz	Memory function	support
Output	3 channels	Output current	≤10A(each channel)
PWM frequency	400Hz	Max. Output power	12V:<360W, 24V:<720W

Remote control

Working temperature	-20℃~60℃	Supply voltage	DC4.5V (AAA*3pcs)
Standby current	<8uA	Working current	<30mA
Standby power	<36uW	Working power	135mW
Net weight	90g	RF frequency	433.92MHz
External dimension	L113*W55*H22 mm	RF distance	≤20m

The function of each button as below:

Name of key	Instruction	Remarks
ON/OFF	ON or OFF in any time	
Pause	Pause or Continue	
Mode	The mode will go to next, when you touch the key each time	10 modes in total.
Speed/Brightness +	The Speed/Brightness will add, when you touch the key each time	Speed for dynamic modes, Brightness for static modes.
Speed/Brightness -	The Speed/Brightness will subtract, when you touch the key each time	Speed for dynamic modes, Brightness for static modes.
Color Ring	Touch any color which you want	

10 modes in total as below:

No	Patterns	Remarks
1	Static white	Brightness is adjustable
2	White flash	Speed is adjustable, brightness is non-adjustable
3	White fade	
4	Three-color jump changing	
5	Seven-color jump changing	
6	Three-color gradient changing	
7	Seven-color gradient changing	
8	R/G cross fade	
9	R/B cross fade	
10	G/B cross fade	

RF CODE

Tips: Receiver can be controlled by any one the same remote as factory default; full touch remote control delivered with unique RF code as factory default; if unique-control is needed, please matching the code before installation and using.

Matching code operation

If unique-control or new-coded-remote is needed, pairing the remote and the receiver as below operation instruction before using:

1. Step 1: Pressing key "Mode" and hold on, power on the controller, the load LEDs will be 50% brightness white as responding.
2. Step 2: Continuously to press the key "Pause " for 3 times within 5 seconds after step 1, the brightness of LEDs will change from 25% -10% as responding. Code learning successfully, the LEDs flashes 3 times and will be back to the status before the power off, and the receiver only can be control by the remote.
3. If not, please re-operate from step 1 to 2.

Clear code operation

Back to factory default, wall-panel can be controlled by any one the same remote control.

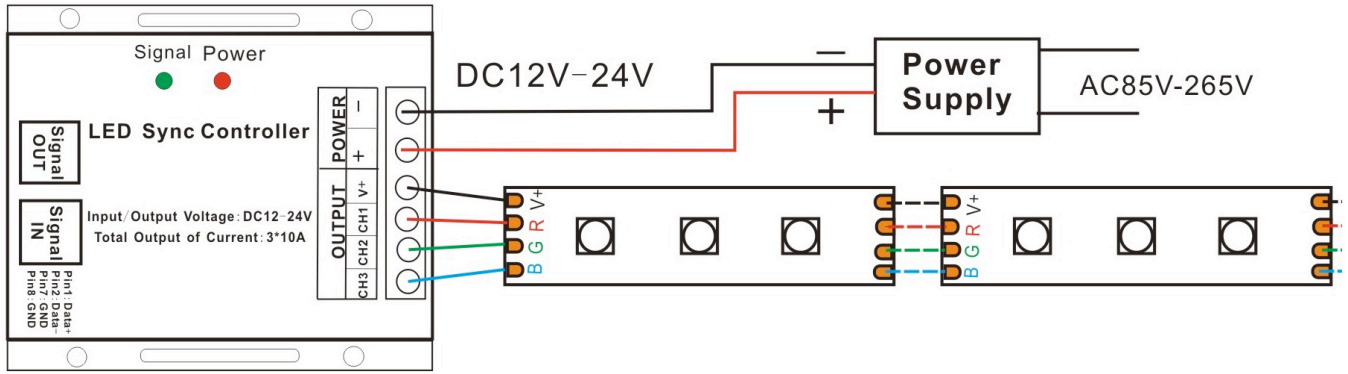
1. Step 1: Pressing key "Mode" and hold on, power on the controller, the load LEDs will be 50% brightness white as responding.
2. Step 2: Continuously to press "Speed/Brightness -" 3 times within 5 seconds after step 1, the brightness of LEDs will change from 25% -10% as responding.
3. Code clearing successfully, the LEDs flashes 3 times and will be back to the status before the power off and the receiver can be controlled by any remote control(any one the same remote control can be used to clear the code).
4. If not, please re-operate from step 1 to 2.

Notice:

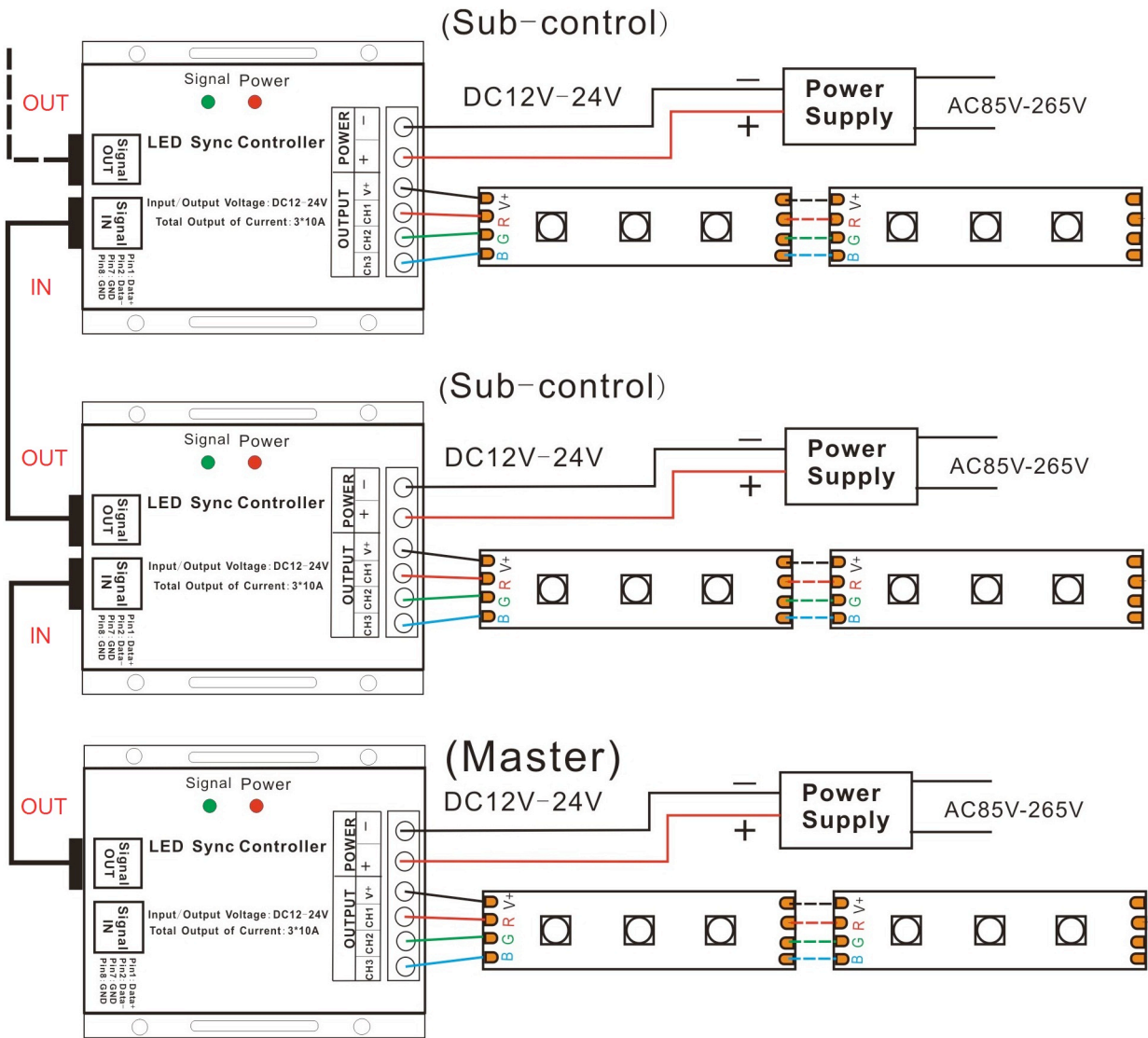
- 1) Each controller can save 3 different RF codes (it means each driver can be controlled by 4 different-code remote in the Max). If there is confusion,, more remote control all can control, you need to clear the code and then use the specified remote control re-code with the controller.
- 2) Anyone the same model remote control or the remote control not the same model but compatible with each other can be used to clear code.

Typical Applications

Application Circuit 1: (V+→COM、CH1→R、CH2→G、CH3→B.)



Application Circuit 2: (*Synchronization function with network Line*)



Tips: The green signal indicator light will uniform flash with proper communication, and will off with any incorrect signal connection (like: poor contact, confused input and output, wrong wire order).