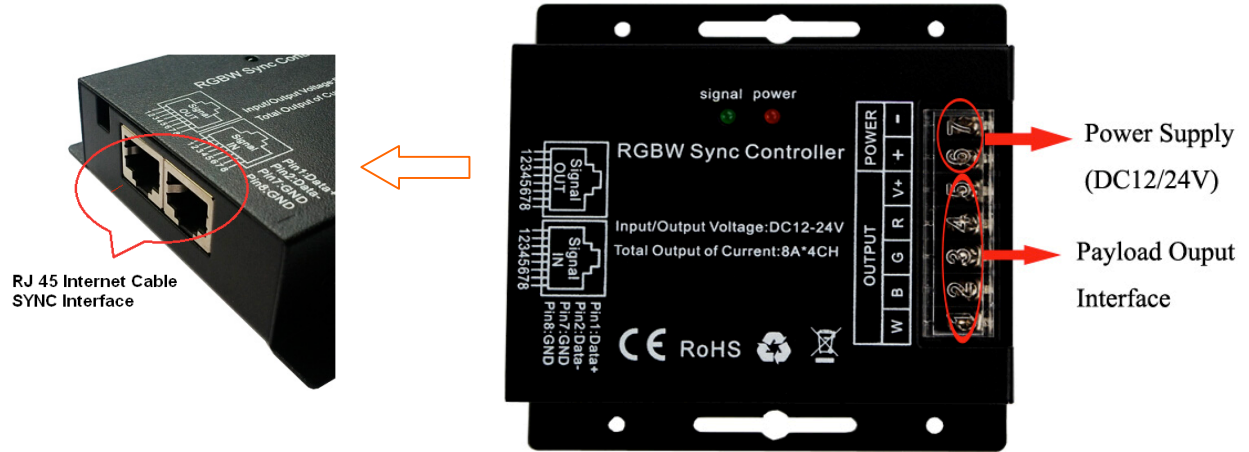


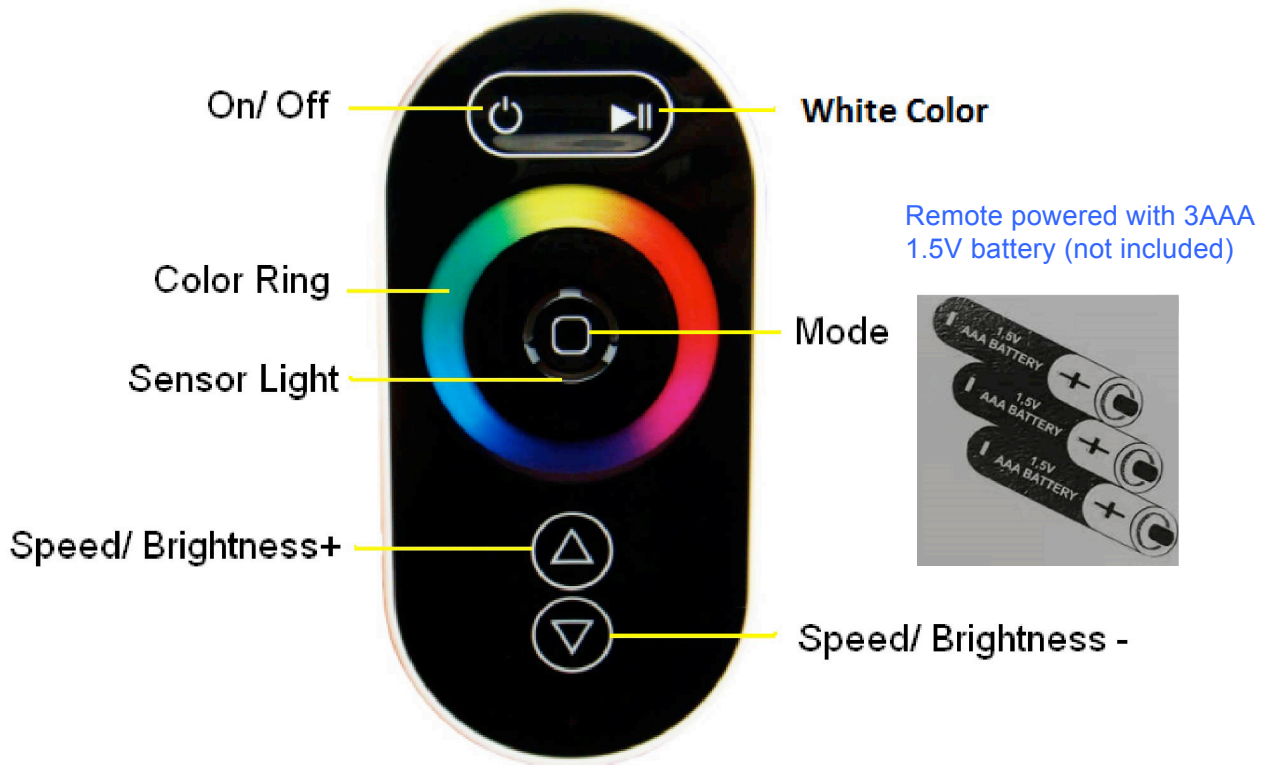
# SAX01-99042 / SAX01-99043

## SAX01-99042 RGBW Sync Controller



Tips: Without any operation more than 20 seconds, the touch remote will enter the sleep state, please SHAKE the remote to wake up it before the next using.

## SAX01-99043 RGBW Remote



## Product Feature

- It is constant voltage, suit for all kinds of the constant voltage LED RGBW lamps.
- There is a RF remote touch control 5 functions, 1 color ring and 1 color sense lamp in the center, all buttons are in the touch form, the color ring have 128 levels in different colors.
- Using RJ45 connector to connect the multiple controllers together, and achieve the synchronization function of thousands meters led strips.
- There are 9 modes in total, including 2 white static colors and 7 dynamic modes. The brightness of all static color and the speed of the dynamic modes are adjustable.

## Technical Parameters

Working temperature	-20-60°C
Supply voltage	DC12V~24V
Output	4 channels
Connecting mode	common anode
External dimension	L91*W88*H24 mm
Packing size	L106*W106*H66 mm
Net weight	324g
Gross weight	364g
Output gray	256 levels (RGBW each)
Output current	<8A(each channel)
Output power	12V: <384W, 24V: <768W
RF frequency	433.9MHz

## The function of each button as below:

Name of key	Instruction	Remarks
ON/OFF	ON or OFF in any time	
White color	For white color	
Mode	The mode will go to next, when you touch the key each time	10 modes in total.
Speed/Brightness +	The Speed/Brightness will add, when you touch the key each time	Speed for dynamic modes, Brightness for static modes.
Speed/Brightness -	The Speed/Brightness will subtract, when you touch the key each time	Speed for dynamic modes, Brightness for static modes.
Color Ring	Touch any color which you want	

## 10 modes as below:

No	Patterns	Remarks
1	Static white	Brightness is adjustable
2	White flash	Speed is adjustable, brightness is non-adjustable
3	White fade	
4	Three-color jump changing	
5	Seven-color jump changing	
6	Three-color gradient changing	
7	Seven-color gradient changing	
8	R/G cross fade	
9	R/B cross fade	
10	G/B cross fade	

## RF CODE

**Tips:** Receiver can be controlled by any one the same remote as factory default; full touch remote control delivered with unique RF code as factory default; if unique-control is needed, please matching the code before installation and using.

## Matching code operation

If unique-control or new-coded-remote is needed, pairing the remote and the receiver as below operation instruction before using:

Step 1: Connecting the load to the controller;

Step 2: Power off controller;

Step 3: Pressing key "Mode" and hold on; meanwhile power on the controller, the load LEDs will be 50% brightness white as responding.

Step 4: Continuously to press the key "White Color " for 3 times within 5 seconds after step 3, the brightness of LEDs will change from 25% -10% as responding. Code learning successfully, the LEDs flashes 3 times and will be back to the status before the power off, and he receiver only can be control by the remote.

If not, please re-operate from step 2 to 4.

## Clear code operation

Back to factory default, controller can be controlled by any one the same remote control.

Step 1: Connecting the load to the controller;

Step 2: Power off controller;

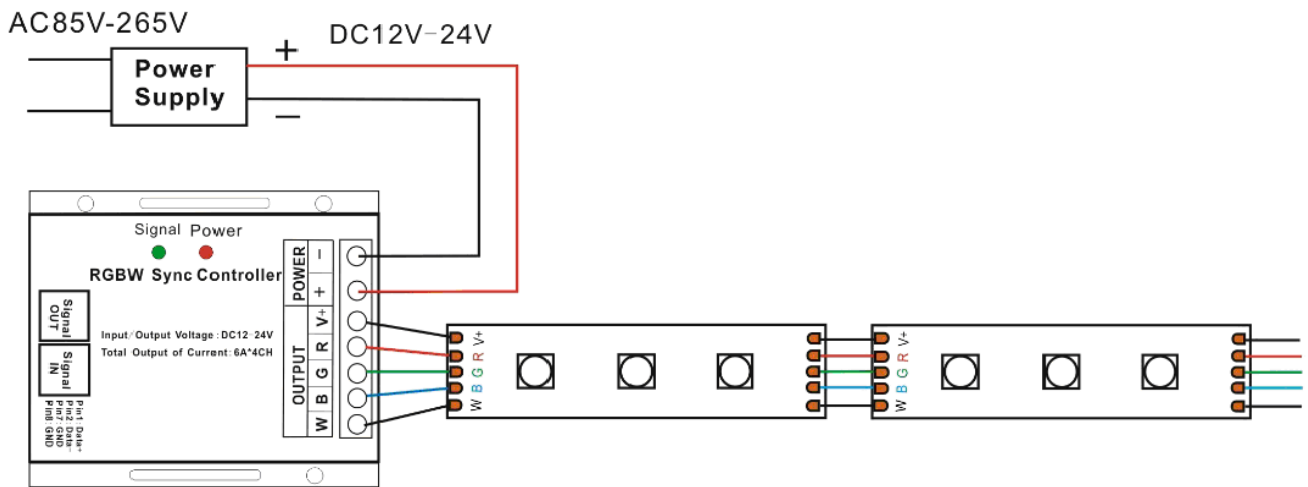
Step 3: Pressing key "Mode" and hold on; meanwhile power on the controller, the load LEDs will be 50% brightness white as responding.

Step 4: Continuously to press "Speed/Brightness -" 3 times within 5 seconds after step 2, the brightness of LEDs will change from 25% -10% as responding. Code clearing successfully, the LEDs flashes 3 times and will be back to the status before the power off, and the receiver can be controlled by any remote control (any one the same remote control can be used to clear the code).

If not, please re-operate from step 2 to 4.

# Typical Applications

Application Circuit 1:



Application Circuit 2: ( Synchronization function with network Line(RJ45) )

