

Data sheet

Part No.	CB 4 BK
Description	4-way box Circular box for surface installation with 2 mounting lugs, standard mounting screw spacing 50.8mm (2") for conduit diameters 20mm to 25mm, with brass inserts M 4, without lid
Colour	black, similar to RAL 9005

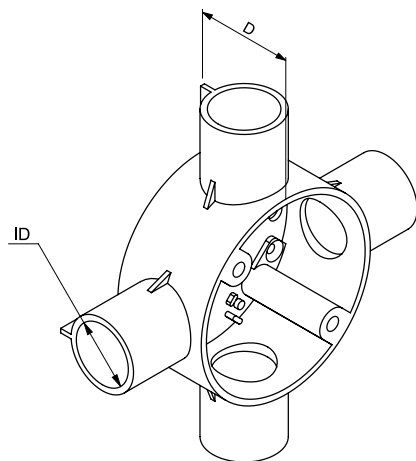
PVC-LSF 



Standard: BS 4607, EN 60670



Working temperature	Degree of protection (IP)	Number of inlets	Material	
-5 to +60 °C	IP3X	4	PVC-LSF	
Art. no.	Dimensions Ø/LxW x D	For tube diameter	ps	pl
104 255 CB 20/4 BK	65 x 32 mm	20 mm	20 pc	240 pc
104 260 CB 25/4 BK	65 x 32 mm	25 mm	10 pc	180 pc



For sale in the UK market only.