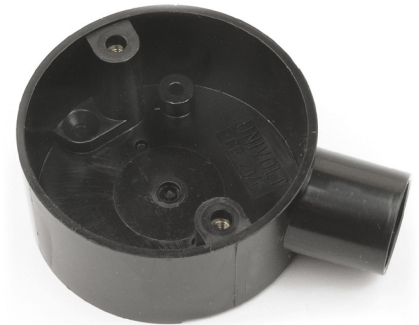


Data sheet

| | |
|-------------|---|
| Part No. | CB 1 BK |
| Description | Terminal Box Circular box for surface installation with 2 mounting lugs, standard mounting screw spacing 50.8mm (2") for conduit diameters 20mm to 25mm, with brass inserts M 4, without lid |
| Colour | black, similar to RAL 9005 |

PVC-LSF 

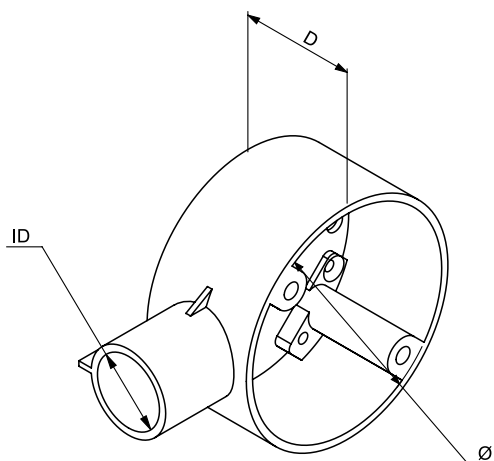


Standard: BS 4607, EN 60670



| Working temperature | Degree of protection (IP) | Number of inlets | Material | |
|---------------------|---------------------------|------------------|----------|--|
| -5 to +60 °C | IP3X | 1 | PVC-LSF | |

| Art. no. | Dimensions Ø/LxW x D | For tube diameter | ps | pl |
|--------------------|----------------------|-------------------|-------|--------|
| 104 251 CB 20/1 BK | 65 x 32 mm | 20 mm | 25 pc | 300 pc |
| 104 256 CB 25/1 BK | 65 x 32 mm | 25 mm | 25 pc | 300 pc |



For sale in the UK market only.